

/// IS 240

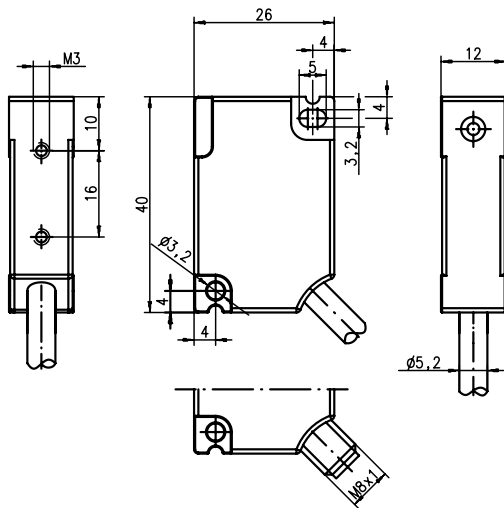


With its cubic design, this sensor is ideal for lateral mounting on conveying belts.

**Benefits:**

- Cubic construction for simple mounting on the side
- Quick and easy installation and commissioning saves mounting times and guarantees the highest availability
- Wider ranges offer high functional reliability
- Very clearly visible status display for reliable detection and commissioning even at long distances

Part no.	Part description	Operating range Sa Typ. operating range limit Sn	Switching frequency	Type of installation	Switching output 1	Switching output 2	Description	Connection	Material
50114210	IS 240PP/44-8N0-S8.4	0 ... 6.4 mm 8 mm	1,400 Hz	Non-embedded	Transistor, PNP, make-contact (NO)	Transistor, PNP, break-contact (NC)	DC	Connector, M8, 4-pin	Plastic
50114209	IS 240PP/44-8N0	0 ... 6.4 mm 8 mm	1,400 Hz	Non-embedded	Transistor, PNP, make-contact (NO)	Transistor, PNP, break-contact (NC)	DC	Cable, 2,000 mm, 4-wire	Plastic
50114206	IS 240PP/22-8N0-S8.4	0 ... 6.4 mm 8 mm	1,400 Hz	Non-embedded	Transistor, NPN, make-contact (NO)	Transistor, NPN, break-contact (NC)	DC	Connector, M8, 4-pin	Plastic
50114205	IS 240PP/22-8N0	0 ... 6.4 mm 8 mm	1,400 Hz	Non-embedded	Transistor, NPN, make-contact (NO)	Transistor, NPN, break-contact (NC)	DC	Cable, 2,000 mm, 4-wire	Plastic
50114208	IS 240PP/44-4E0-S8.4	0 ... 3.2 mm 4 mm	1,400 Hz	Embedded	Transistor, PNP, make-contact (NO)	Transistor, PNP, break-contact (NC)	DC	Connector, M8, 4-pin	Plastic
50117797	IS 240PP/4N0-4E0-S8.3	0 ... 3.2 mm 4 mm	1,400 Hz	Embedded	Transistor, PNP, make-contact (NO)		DC	Connector, M8, 3-pin	Plastic
50114207	IS 240PP/44-4E0	0 ... 3.2 mm 4 mm	1,400 Hz	Embedded	Transistor, PNP, make-contact (NO)	Transistor, PNP, break-contact (NC)	DC	Cable, 2,000 mm, 4-wire	Plastic
50114204	IS 240PP/22-4E0-S8.4	0 ... 3.2 mm 4 mm	1,400 Hz	Embedded	Transistor, NPN, make-contact (NO)	Transistor, NPN, break-contact (NC)	DC	Connector, M8, 4-pin	Plastic
50114203	IS 240PP/22-4E0	0 ... 3.2 mm 4 mm	1,400 Hz	Embedded	Transistor, NPN, make-contact (NO)	Transistor, NPN, break-contact (NC)	DC	Cable, 2,000 mm, 4-wire	Plastic

Dimensioned drawings: IS 240

IS 240 series